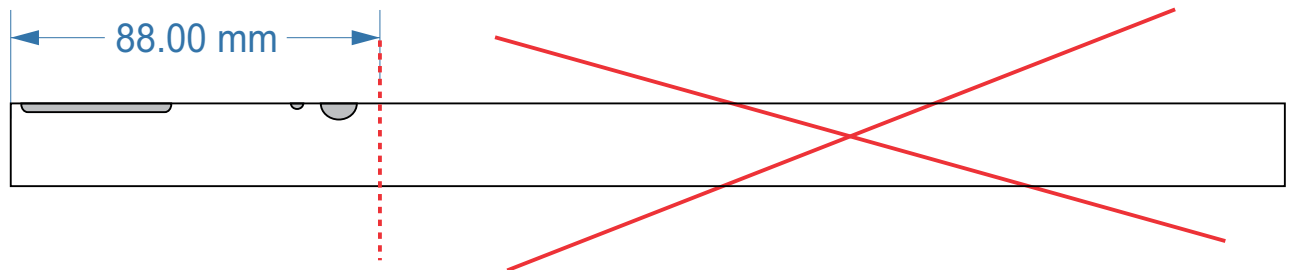
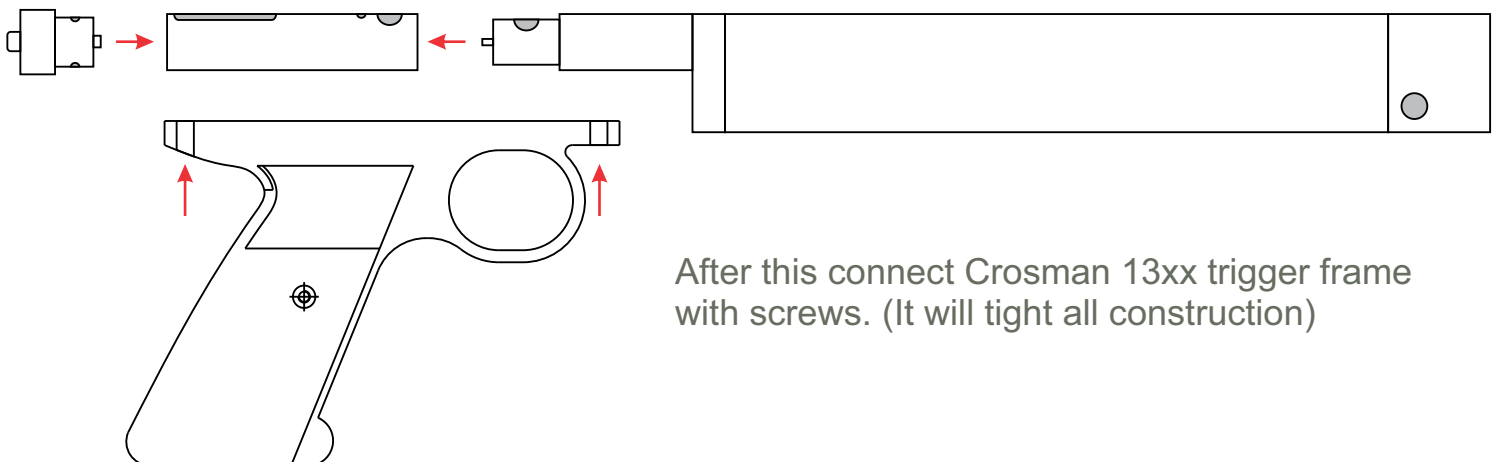


Crosman 13xx to PCP Conversion KIT

First disassemble your Crosman 13xx airgun. Remove all internals from Main Tube. You need to cut from Main Tube exactly 88mm. (Very important to cut exactly 88mm) You will need only this 88mm tube.

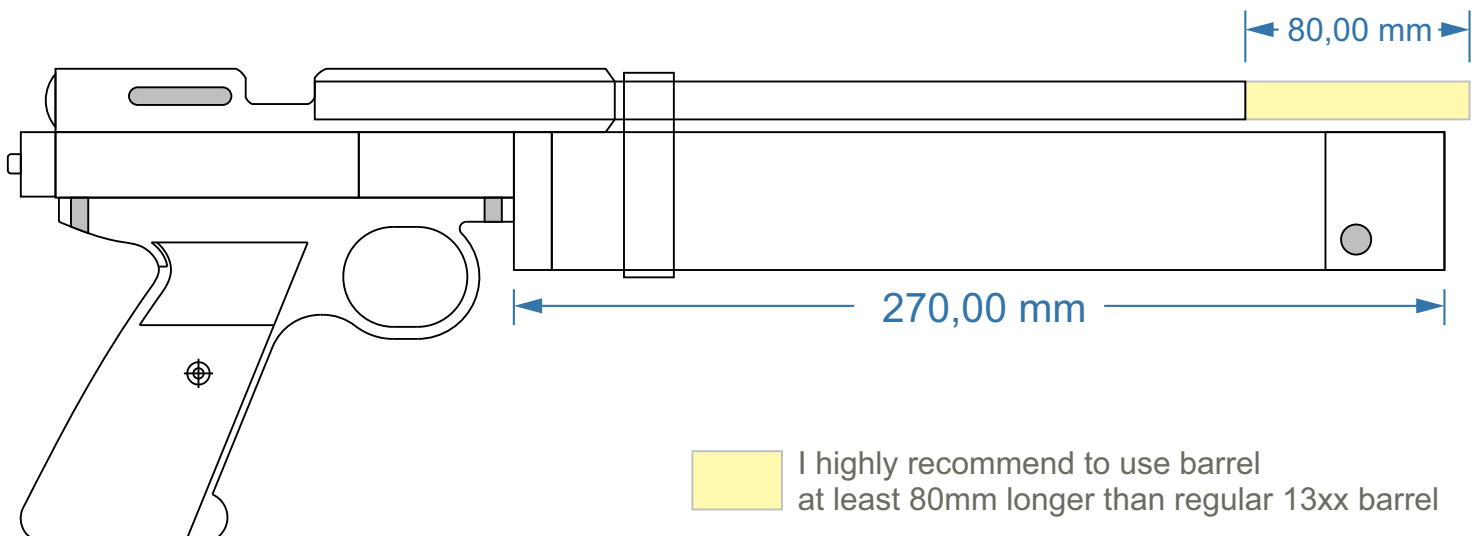


Put your Air Reservoir in to this 88mm tube and align air transfer port holes. After this put inside 88mm tube Crosman 13xx hammer and spring. Also speed adjuster plug which you have included in KIT.



After this connect Crosman 13xx trigger frame with screws. (It will tight all construction)

After this you must put plastic air transfer tube in to air transfer port hole and you are ready to put breech with barrel barrel band on Air tube.



I highly recommend to use barrel at least 80mm longer than regular 13xx barrel